



CCI Cablecom Inc. is a privately held, women owned corporation headquartered in Aurora, CO. We manufacture a variety of voice and datacom products. Cable applications Include:

- Local area networks
- Telecommunications
- Computer Peripherals
- High Speed Data Transmission



- CCI Cablecom Inc. offers a comprehensive line of fiber jumpers for connecting fiber links. Choose from simplex or duplex, multimode (62.5/125 or 50/125) or singlemode. Connectors available include ST, SC, MTRJ, LC, FC, VF45. Assemblies are available in standard lengths of 1, 2, 3, and 5, 7 and 10 meters, (custom lengths are also available). Each and every terminated connector is optically tested. All jumpers are manufactured using the finest quality connectors and OFNR riser grade fiber and OFNP plenum grade fiber.



Networking Products Fiber



Adapters

Complete your network with this fiber adapter.

Couplers

Complete your network with this fiber coupler. This quality SC fiber coupler easily connects two fiber cables.



Boots

Multicolored for designation.

Networking Products

Fiber Multimode Jumpers



ST



MTRJ



SC

FC

This high performance Fiber Jumper cable is perfect for connecting your computer to a network. Will support up to 1000Mbps transfer rates.

MTRJ

This high performance Fiber Jumper cable is perfect for connecting your computer to a network. Will support up to 1000Mbps transfer rates.

SC/SC

This high performance Fiber Jumper cable is perfect for connecting your computer to a network. Will support up to 1000Mbps transfer rates.

ST/SC

This high performance Fiber Jumper cable is perfect for connecting your computer to a network. Will support up to 1000Mbps transfer rates.

ST/ST

This high performance Fiber Jumper cable is perfect for connecting your computer to a network. Will support up to 1000Mbps transfer rates. LC male to LC male connectors

Networking Products

Fiber Singlemode Jumpers



LC



SC

MTRJ

This high performance Fiber Jumper cable is perfect for connecting your computer to a network. Will support up to 1000Mbps transfer rates.

SC/SC

This high performance Fiber Jumper cable is perfect for connecting your computer to a network. Will support up to 1000Mbps transfer rates.

ST/SC

This high performance Fiber Jumper cable is perfect for connecting your computer to a network. Will support up to 1000Mbps transfer rates.



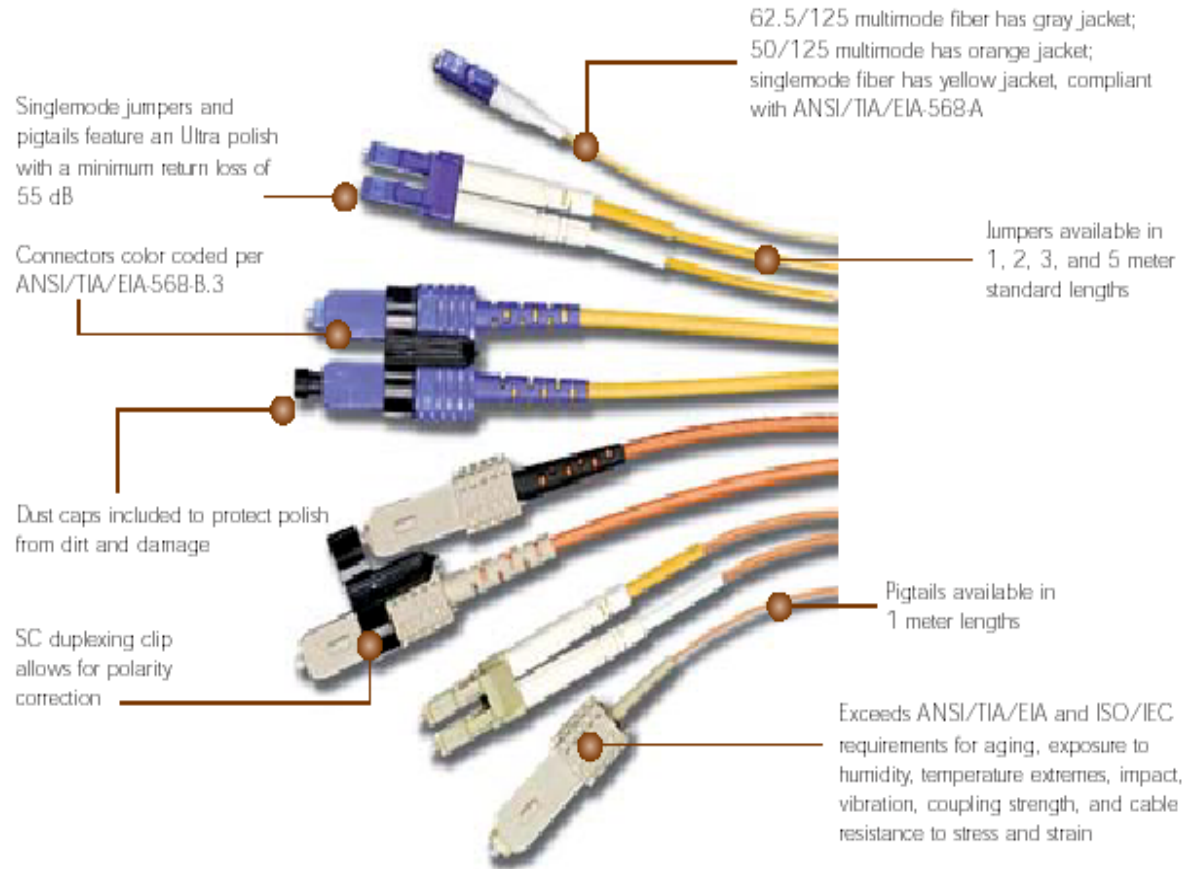
ST

ST/ST

This high performance Fiber Jumper cable is perfect for connecting your computer to a network. Will support up to 1000Mbps transfer rates.

Fiber Jumpers

DUCTS



Multi-fiber Jumper Cords

Multi-fiber Patch Cords provide a quick and reliable connection for up to 12 single-mode optical fibers in a compact, push-pull housing.

Connection is assured by the spring-action side latch housing. Simply push on and pull-off. Angled connectors are available factory-installed on ribbon fiber or individual fibers which have been ribbonized.



Breakout Series



Distribution Series



Simplex & Duplex Zip Cord

Patch Cords



Applications Supported-10BASE-T, 100BASE-T, 155 Mbps ATM

The combined engineering expertise represented by CCI Cablecom has produced the industry's preeminent performance in Category 6 cabling systems. Our Cat 6 delivers channel performance that meets all proposed current TIA/EIA and ISO/IEC Class E Category 6 channel requirements. Cat 6 is backward compatible with components and systems of lower performing categories.



Shielded and Unshielded Cable

- Cat 5 Patch/Jumper Cable
- Cat 5 Horizontal Cable
- Cat 6 Patch/Jumper Cable
- ISO 11801 (EN50173) Patch/Jumper Cable
- Cat 5E 350 MHz Cable
- IBM Type 6 Cable (modified)
- E-1 and shielded xDSL Cable
- T-1 (DS-1) and shielded xDSL Cable
- Cat 3 Patch/Jumper Cable (10Base-T)
- Cat 5e/5E Patch/Jumper Cable
- Cat 5e Horizontal Cable
- T-3 (DS-3) cable
- ScTP (Shielded) patch or horizontal cable
- Unshielded xDSL Cable
- Cat 6 Horizontal Cable

LAN Cables

Our product line covers computer interconnection from Category 3 (10Base-T) through Category 6 to T-1, E-1 and XDSL applications





Patch Cords

Features

- The exceptional bandwidth capabilities may allow Gigabit Ethernet operation without complex DSP (Digital Signal Processing) electronics required for Category 5e
- Increased usable bandwidth
- Optimized ACR
- Optimally tuned performance
- Components meet all current Category 6 draft requirements

Benefits

- Improved network performance and reliability
- Lower ownership costs
- Supports applications beyond Gigabit Ethernet (future-proof)
- Provides additional margin for external noise cancellation
- Error-free data transmission



CAT.6 UTP PATCH CABLE 4 PR24 SPECIFICATION

Scope

- This specification describes a high speed data communication cable construction consisting of four twisted pair, and PVC jacket.

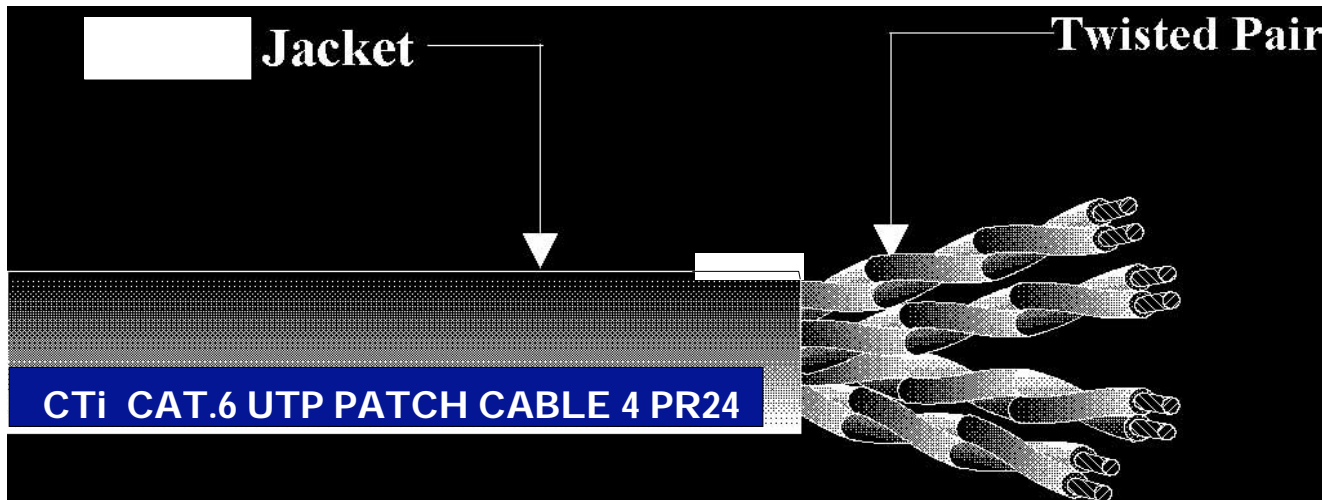
Safety Standards

- According to UL444 Communications Cables, UL AWM Style 2835.

Reference Standards

- TIA/EIA-568-B.2-1 , ISO 11801

CAT.6 UTP PATCH CABLE 4 PR24 SPECIFICATION cont'd



Twisted Pairs Color Code°G

1. Orange, White/Orange
2. Blue, White/Blue
3. Brown, White/Brown
4. Green, White/Green

CAT.6 UTP PATCH CABLE 4 PR24 SPECIFICATION cont'd

Component

- a. Size of conductor : AWG 24 (Anneal copper wire)
- b. Dielectric material : Polyethylene
- c. Diameter of Dielectric core : 1.0 ± 0.05 mm
- d. Number of twist pairs : Four pairs.

Each one of four pairs with different pitch

Assembly

- : Four pairs of dielectric core shall be stranded in circular form.

Jacket material

: PVC, flame retardant and / or CM grade .

Overall Diameter

: Ave. 5.6 ± 0.2 mm.

Marking

: Reference UL standards and customer's request.

Electrical Property

- a. Capacitance : nom. 15.2 pf/ft
- b. Velocity of propagation : nom. 67%
- c. Operating temperature : -20°C - 80°C
- d. DC resistance of conductor : max. 93.2 Ω /km at 20°C
- e. Characteristic impedance : nom. Impedance $100 \pm 15\Omega$



UTP CAT.5E 4 PR 24AWG CABLE SPECIFICATION

Scope

- This specification describes a high speed data communication cable construction consisting of four twisted pair, and PVC jacket.

Safety Standards

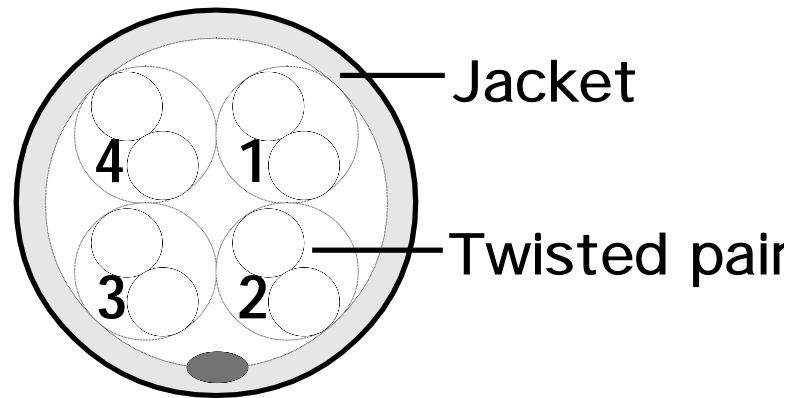
- According to UL444 Communications Cables, UL AWM Style 2835.

Reference Standards

- TIA/EIA 568B.2, ISO 11801

UTP CAT.5E 4 PR 24AWG CABLE SPECIFICATION cont'd

Construction / Configuration



Twisted Pairs Color Code°G

1. Orange, White/Orange
2. Blue, White/Blue
3. Brown, White/Brown
4. Green, White/Green

UTP CAT.5E 4 PR 24AWG CABLE SPECIFICATION cont'd

Component

- a. Size of conductor : AWG 24 (Stranded Anneal copper wire)
- b. Dielectric material : Polyethylene
- c. Diameter of Dielectric core : 0.93 ± 0.05 mm
- d. Number of twist pairs : Four pairs.

Each one of four pairs with different pitch

Assembly

: Four pairs of dielectric core shall be stranded in circular form.

Jacket material

: PVC, flame retardant and / or CM grade .

Overall Diameter

: Ave. 5.3 ± 0.2 mm.

Electrical Property

- a. Capacitance : nom. 15.2 pf/ft
- b. Velocity of propagation : nom. 67%
- c. Operating temperature : -20°C - 80°C
- d. DC(Loop) resistance of conductor : nom. $178.6 \Omega/\text{km}$ at 20°C
- e. Characteristic impedance : nom. Impedance $100 \pm 15 \Omega$

WALL MOUNT FIBER PANEL



6/12 Port Wall Mount



12/12 Port Wall Mount

FEATURES

- Up to 96 port expansion
- Can accommodate both patching and splicing
- IBM Beige or Black
- All are manufacturer with 16 GA steel
- Double Doors with key lock options are available
- Wire management with labeling comes complete with each panel



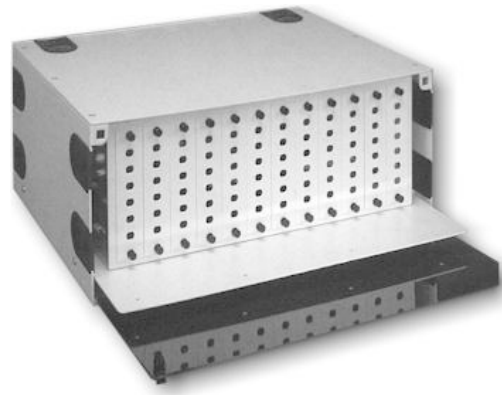
RACK MOUNT FIBER PANELS



6/12 Port Rack Mount



12/24 Port Rack Mount




72 Port Rack Mount



RACK MOUNT FIBER PANELS

FEATURES

- Up to 144 port expansion
- Can accommodate both patching and splicing
- IBM Beige or Black
- All are manufacturer with 16 GA steel
- Smoke glass Doors with key lock options are available
- Wire management with labeling comes complete with each panel



Networking Products-Cable Management

- **Cable Holders**
Use our cable management products to organize and route cables.
- **Cable Identifiers**
Use our cable management products to organize and route cables.
- **Cable Ties**
Use our cable management products to organize and route cables.
- **Kit**
Use our cable management products to organize and route cables.



Additional Products

- Hardware/Hubs 10BaseT, Fiber
- Hardware/NICs Ethernet, Fiber, PCMCIA, Wake-On Cables
- Hardware/Print Servers 10/100, 10BaseT
- Hardware/Repeater Ethernet
- Hardware/Switches 10/100, Fiber
- RG58 Coaxial Bulk, Cables, Connectors, Terminators
- Shielded Twisted Pair Bulk, Patch Cords
- Token Ring Adapters
- Transceiver Cables DB 15
- Twinax Bulk, Cables, Connectors
- UTP Blank Plugs, Boots, Bulk, Connectors, Couplers, Face Plates, Keystone Jacks, Surface Mounts
- UTP/Cat5e Bulk, Connectors, Keystone Jacks, Surface Mounts, Couplers
- UTP/DataTwist 350 Bulk
- UTP/Media Twist Patch Cables , Bulk
- UTP Patch Cables Booted, Crimped, Crossover
- UTP Patch Cables Cat5e Booted , Crossover